

PIUSIUL US
TESTED
MOTOR

1" METER Aluminum Continuous duty

عداد 1 بوصة ميكانيكي ألومنيوم خدمة شاقة

K MECHANICAL METERS
150

PERFORMANCE

UP TO 150 L/MIN FLOW RATE	3,5 BAR MAX OPERATING PRESSURE
± 1% ACCURACY	0,3% REPEATABILITY

DETAILS



NUTATING DISK



4 FLOW DIRECTIONS



METALLIC COVER

MATERIALS

- BODY AND COVER: ALUMINIUM
- NUTATING DISK CHAMBER: TECHNO POLYMER



Technical Specifications		المواصفات الفنية	
Model	K150	K150	الموديل
Code	F00554A00	F00554A00	الكود
Manufacturing	ITALY	ايطاليا	بلد الصنع والتجميع
FLOW-RATE	20 : 150 l/m	٢٠ : ١٥٠ لتر / دقيقة	معدل التصريف
Inlet / outlet	1"	١ بوصة	قطر الدخول والخروج
Pressure	3,5 bar	٣,٥ بار	الضغط
Weight	2,38 kg	٢,٣٨ كجم	الوزن
Dimensions	185 x 185 x 170 mm	١٨٥ × ١٨٥ × ١٧٠ مم	الأبعاد
Other Specifications		مواصفات أخرى	
- Aluminum Body and cover - Continuous duty.		- جسم ألومنيوم - خدمة شاقة.	
- Nutating Disk Chamber: Techno polymer.		- تروس تكنوبوليمر.	
- Mechanical Calibration.		- معايرة ميكانيكية.	
- Longer expiration date - Lower maintenance.		- عمر أطول - صيانة أقل.	



FUEL MANAGEMENT SYSTEMS



DISPENSERS



KITS



PUMPS



METERS



NOZZLES

K150

FEATURES

- HEAVY DUTY CONDITIONS
- HIGH FLOW RATE
- BURSTING PRESSURE 28 BAR
- EASY READING
- 4 FLOW DIRECTIONS

K150 is expressly engineered to meet the market requirements of a meter suitable for flow rates superior than 120 l/min and that can be used both for fluids such as diesel and biodiesel, as well as in potentially explosives atmosphere; with gasoline for example. K150 is easy to calibrate and ready to use; its aluminium cover and sturdy body make this meter suitable for a wide arrange of application while guaranteeing the same precision and quality that have always featured PIUSI equipment. The mechanical display allows to read quickly the quantity dispensed. It can be installed everywhere thanks to the (optional) 1,5" flange kit.

PERFORMANCE

UP TO

25-150

L/MIN

FLOW RATE

3,5 BAR

MAX

OPERATING PRESSURE

± 1%

ACCURACY

0,3%

REPEATABILITY



K150



PACKAGING

CODE	WEIGHT		PACKAGING			BOXES/EUROPALLET	
	KG	LBS	MM	INCH	PCS/BOX	✕	
FO0554A00	2,38	5,25	185X185X170	7,28X7,28X6,69	1	192	240
FO0554B00	2,38	5,25	185X185X170	7,28X7,28X6,69	1	192	240
FO0554C00	2,38	5,25	185X185X170	7,28X7,28X6,69	1	192	240
FO0554D00	2,38	5,25	185X185X170	7,28X7,28X6,69	1	192	240



FILTRATION



TANK MONITORING



HOSE REEL



ACCESSORIES



MERCHANDISE

PIUSI



AIR



ANTIFREEZE



AdBlue®



BIODIESEL



DIESEL



FOOD



GASOLINE



GREASE



KEROSENE



OIL

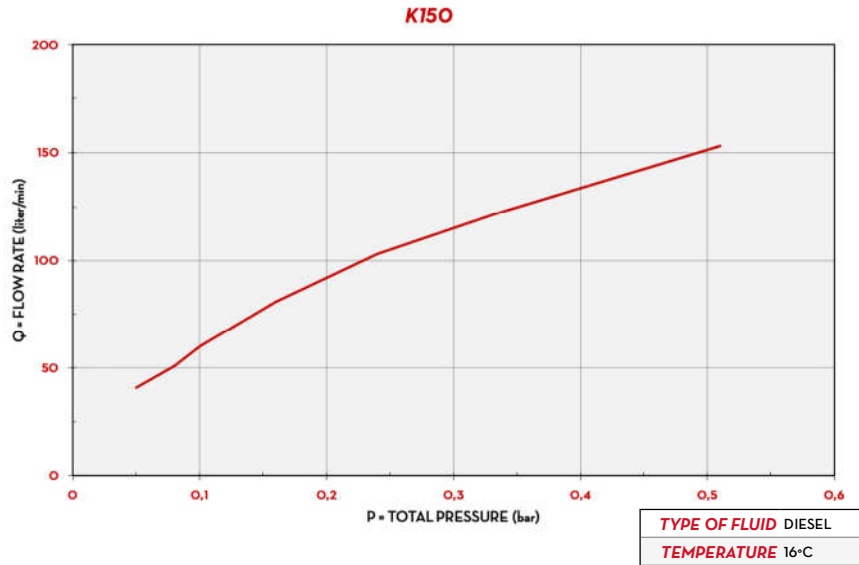


WATER



WINDSCREEN

CHART



IN THE BOX

- K150 METER
- INSTRUCTION MANUAL

DETAILS



NUTATING DISK

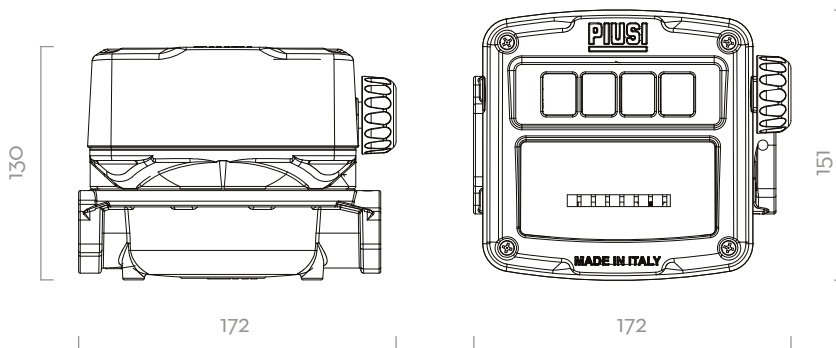


4 FLOW DIRECTIONS



METALLIC COVER

DIMENSIONS



Dimensions expressed in millimeters

MATERIALS

- BODY AND COVER: ALUMINIUM
- NUTATING DISK CHAMBER: TECHNOPOLYMER

TECHNICAL DATA

CODE	DESCRIPTION	FLUIDS TYPE	FLOW RATE		FLOW DIRECTIONS	PRESSURE		INLET/OUTLET
			L/MIN	GPM		BAR	PSI	
FO0554A00	K150 METER LITERS - 1" BSP VER.A	D	25-150	6,6-40	◀	3,5	50	1" BSP
FO0554B00	K150 METER LITERS - 1" BSP VER.B	D	25-150	6,6-40	▲	3,5	50	1" BSP
FO0554C00	K150 METER LITERS - 1" BSP VER.C	D	25-150	6,6-40	▼	3,5	50	1" BSP
FO0554D00	K150 METER LITERS - 1" BSP VER.D	D	25-150	6,6-40	▶	3,5	50	1" BSP

THE PIUSI K150 IS A MECHANICAL METER EXPRESSLY ENGINEERED FOR HEAVY DUTY AND HIGH FLOW RATE APPLICATIONS. IT IS EASY TO CALIBRATE AND READY-TO-USE; ITS ALUMINIUM COVER AND STURDY BODY MAKE THIS METER SUITABLE FOR A WIDE ARRANGE OF APPLICATIONS WHILE GUARANTEEING THE SAME PRECISION AND QUALITY THAT HAVE ALWAYS BEEN A FEATURE OF PIUSI EQUIPMENT.

K150