

K MECHANICAL METERS 700 M

FEATURES

- HEAVY DUTY CONDITIONS
- STURDY STRUCTURE
- BURSTING PRESSURE 30 BAR
- NO BATTERY NEEDED
- EASY TO INSTALL
- 2 FLOW DIRECTION

PERFORMANCE

40-220

L/MIN
FLOW-RATE

10 BAR

MAX OPERATING
PRESSURE

± 1,5%

ACCURACY

DETAILS



4-DIGITS



OVAL GEARS



4 FLOW DIRECTIONS

MATERIALS

- BODY: ALUMINIUM
- GEARS: TECHNOPOLYMER



Technical Specifications		المواصفات الفنية	
Model	K700M	K700M	الموديل
Code	F00540000	F00540000	الكود
Flow Rate	20 - 220 l/m	٢٠ - ٢٢٠ لتر / الدقيقة	التصريف
Pressure	10 bar	١٠ بار	الضغط
Inlet / Outlet	1,5"	١,٥ بوصة	قطر الدخول والخروج
Current reading	4 Digits	٤ خانة	قراءة تفوييل
Total reading	7 Digits	٧ خانة	قراءة إجمالي
Weight	5,8 kg	٥,٨ كجم	الوزن
Dimension	240 x 240 x 275 mm	٢٤٠ × ٢٤٠ × ٢٧٥ مم	الأبعاد



DISPENSERS



PUMPS



METERS



NOZZLE



FILTRATION

FLUID
MONITORING

K700

هذا الكتالوج خاص بالشركة المصدرة وليست جميع
الأكواد المذكورة فيه صالحة للسوق المصري

FEATURES

- HEAVY DUTY CONDITIONS
- STURDY STRUCTURE
- BURSTING PRESSURE 30 BAR
- NO BATTERY NEEDED
- EASY TO INSTALL
- 2 FLOW DIRECTION

Medium-high flow rates require specific measuring equipment able to adapt precisely to the flow: It is the case of the oval gear mechanical flow meter PIUSI K700: a sturdy, reliable and easy to install equipment suitable for the most demanding environments. The meter displays 4-digit piece of equipment partial total that can show up to a maximum of 9999 liters.

PERFORMANCE

40-220

L/MIN

FLOW-RATE

10 BAR

MAX OPERATING

PRESSURE

± 1,5%

ACCURACY

**K700**

PACKAGING

CODE	WEIGHT		PACKAGING			N. BOXES / EUROPALLET	
	KG	LBS	MM	INCH	PCS/BOX	✈	🚚
FO0540000	5,8	12,8	240X240X275	1	1	48	72
FO0540020	5,8	12,8	240X240X275	-	1	48	72
FO0540030	5,8	12,8	240X240X275	-	1	48	72
FO0540040	5,8	12,8	240X240X275	-	1	48	72



HOSE REELS



ACCESSORIES



MERCHANDISE



AIR



ANTIFREEZE



AdBlue®



BIODIESEL



DIESEL



FOOD



GASOLINE



GREASE



KEROSENE



OIL

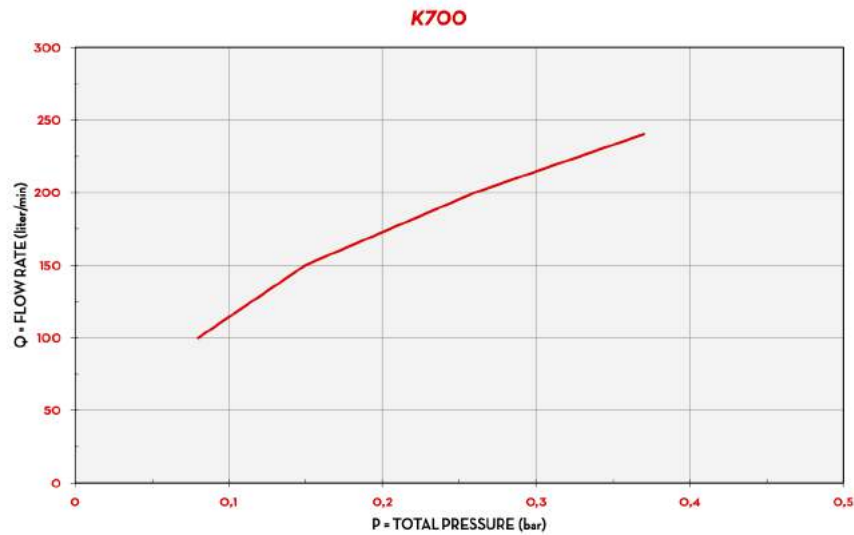


WATER



WINDSCREEN

CHART



TYPE OF FLUID DIESEL

TEMPERATURE 8 °C

IN THE BOX

- K700 METER
- INSTRUCTION MANUAL

DETAILS



4-DIGITS

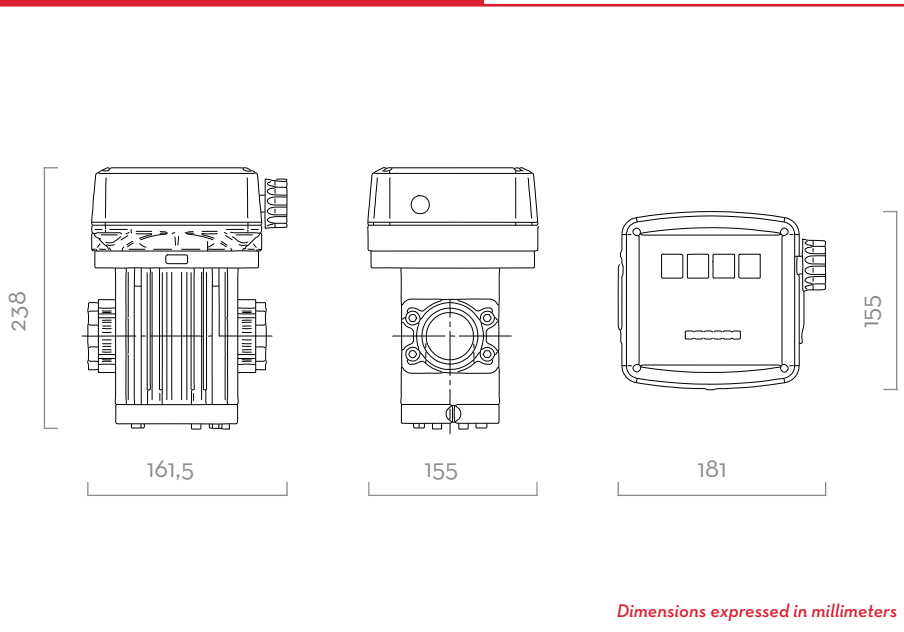


OVAL GEARS



4 FLOW DIRECTIONS

DIMENSIONS



MATERIALS

- BODY: ALUMINIUM
- GEARS: TECHNOPYLIMER

TECHNICAL DATA

CODE	DESCRIPTION	FLUIDS TYPE	FLOW DIRECTION	FLOW-RATE		PRESSURE		INLET FILTER	INLET / OUTLET
				L/MIN	GPM	BAR	PSI		
FO0540000	K700 VER. A	D	←	40 - 220	5 - 53	10	142	YES	1" 1/2 BSP
FO0540020	K700 VER. B	D	↑	40 - 220	5 - 32	10	142	YES	1" 1/2 BSP
FO0540030	K700 VER. C	D	↓	40 - 220	5 - 53	10	142	YES	1" 1/2 BSP
FO0540040	K700 VER. D	D	→	40 - 220	5 - 32	10	142	YES	1" 1/2 BSP