

# K NOZZLE METERS 500



### FEATURES

- PRESET FUNCTION
- HIGH ACCURACY
- STANDARD BATTERY AA
- ERGONOMIC GRAB
- ROTATING SPOUT
- SHOCK-ABSORBING PROTECTION
- IP55 PROTECTION
- ADJUSTABLE UNIT OF MEASUREMENT

### PERFORMANCE

up to  
**30 L/MIN**  
(up to 7,8 gpm)  
FLOW RATE

**± 0,5%**  
ACCURACY

up to  
**2000 CST**  
VISCOSITY

**70BAR**  
PRESSURE



### IN THE BOX

- K500 NOZZLE
- INSTRUCTION MANUAL

### DETAILS



### MATERIALS

- NOZZLE BODY: ALLUMINIUM
- VALVE: NBR, NICKEL PLATED STEEL, BRASS
- METER BODY: ALLUMINIUM
- GEARS: TECHNOPOLYMER



### Technical Specifications

Model	K500
Code	F0068700C
Flow-rate	30 l/m
Inlet	0.5"
Pressure	70 bar
Weight	1.8 kg
Dimensions	280 x 160 x 140 mm

### المواصفات الفنية

K500	الموديل
F0068700C	الكود
٣٠ لتر / د	التصريف
٠,٥ بوصة	قطر الدخول
٧٠ بار	الضغط
١,٨ كجم	الوزن
١٤٠ × ١٦٠ × ٢٨٠ مم	الأبعاد



KIT LUBE



DISPENSERS



PUMPS



METERS



NOZZLE METERS



NOZZLES

# K500

هذا الكتالوج خاص بالشركة المصدرة وليست جميع  
الأكواد المذكورة فيه صالحة للسوق المصري

## FEATURES

- PRESET FUNCTION
- HIGH ACCURACY
- STANDARD BATTERY AA
- ERGONOMIC GRAB
- ROTATING SPOUT
- SHOCK-ABSORBING PROTECTION
- IP55 PROTECTION
- ADJUSTABLE UNIT OF MEASUREMENT

The Piusi K500 is the most widespread preset nozzle for oil. It has an ergonomic handle, an oval gear meter and a preset function to always choose the right quantity before dispensing.

## PERFORMANCE

up to

**30 L/MIN**

(up to 7,8 gpm)

FLOW RATE

**± 0,5%**

ACCURACY

up to

**2000 CST**

VISCOSITY

**70BAR**

PRESSURE



K500



A

**ROTATING SPOUT**  
R12519000  
PAG. 96



B

**FLEXIBLE SPOUT**  
FOO676070  
PAG. 96



C

**RIGID SPOUT**  
FOO676080  
PAG. 96



## PACKAGING

CODE	WEIGHT		PACKAGING			N. BOXES/ EUROPALLET	
	KG	LBS	MM	PCS/PALLET	PCS/BOX		
<b>FOO68700D</b>	<b>1,8</b>	<b>4</b>	<b>28OX16OX14O</b>		<b>1</b>	<b>128</b>	<b>160</b>
FOO68720A	1,8	4	28OX16OX14O		1	128	160
FOO687221A	1,8	4	28OX16OX14O		1	128	160
FOO68600D	1,8	4	28OX16OX14O		1	128	160



WASTE OIL EQUIPMENTS



FILTRATION



FLUID MONITORING



HOSE REELS



ACCESSORIES



MERCHANDISE

INDEX



AIR



ANTIFREEZE



AdBlue®



BIODIESEL



DIESEL



FOOD



GASOLINE



GREASE



KEROSENE



OIL



WATER



WINDSCREEN

## CHARTS



## IN THE BOX

- K500 NOZZLE
- INSTRUCTION MANUAL

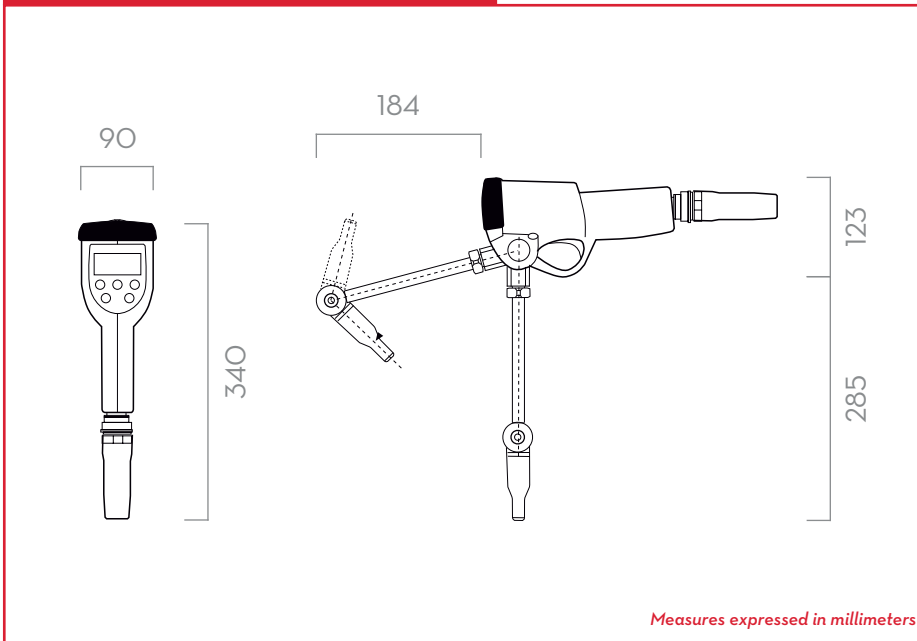
## DETAILS



## MATERIALS

- NOZZLE BODY: ALLUMINIUM
- VALVE: NBR, NICKEL PLATED STEEL, BRASS
- METER BODY: ALLUMINIUM
- GEARS: TECHNOPOLYMER

## DIMENSIONS



## TECHNICAL DATA

CODE	DESCRIPTION	FLUIDS TYPE	SPOUT TYPE	AUTOMATIC NO DRIP VALUE	FLOW-RATE		WORKING PRESSURE		BATTERIES SIZE 1,5 V AA NO.	INLET
					L/MIN	GPM	BAR	PSI		
<b>FOO68700D</b>	<b>K500 W/ARTICULABLE SPOUT</b>	<b>O</b>	<b>A</b>	<b>YES</b>	<b>1 ÷ 30</b>	<b>0,26 ÷ 7,8</b>	<b>70</b>	<b>994</b>	<b>4</b>	<b>1/2" BSP</b>
FOO68720A	K500 W/RIGID SPOUT	O	C	YES	1 ÷ 30	0,26 ÷ 7,8	70	994	4	1/2" BSP
FOO68721A	K500 W/FLEXIBLE SPOUT	O	B	YES	1 ÷ 30	0,26 ÷ 7,8	70	994	4	1/2" BSP
FOO68600D	K500 W/ARTICULABLE SPOUT	O	A	YES	1 ÷ 30	0,26 ÷ 7,8	70	994	4	1/2" NPT

# K500